



Officially Licensed  
Warning Lights of  
NASCAR®

# Guardian™ Series

## STROBE, HALOGEN OR Super-LED® MINI LIGHTBARS



G7PCRB  
Permanent  
Mount

G1VA / G2VA  
Magnetic Suction Mount

G8PA  
Permanent  
Mount

G5MCA  
Magnetic  
Mount

G8PCAA  
Permanent  
Mount  
(shown lit  
and unlit)

G9PA  
Permanent  
Mount

*New sleek styling, superior light output, universal mounting, as well as quiet and reliable operation make the Guardian Series of products your first choice for warning protection.*

*The Guardian Series is available in halogen, strobe and Super-LED® lighting with permanent, magnetic or “new” magnetic/suction mount variations to meet your every need.*

*Multi-color configurations available with domes, filter kits or beacons.*

### HALOGEN

#### G1 and G2 Series

- Attention getting G1 Series with 135 RPM rotators, or G2 Series with 175 RPM rotators.
- Brilliant full size diamond mirror provides a total of 540 FPM for G1 or 700 FPM for G2.
- High Intensity 55 watt H1 bulbs (12 Volt Version).
- Large, precision engineered, wide-angle reflectors provide maximum intensity at all times.
- Quiet and reliable double ball bearing motor assembly with 3 year full factory warranty.
- Standard 12 VDC (24 VDC available upon request).

### STROBE

#### G5 and G7 Series

- G5 Series with two Class 1, self-contained strobe beacons offer highly effective QuintFlash™ as well as a full sized diamond mirror. Each beacon provides 22-watts output, 19 joules and 72 FPM (288 FPM total).
- G7 Series with two remote strobe heads and built-in remote power supply offers our attention getting, alternating CometFlash® and a 1/2 sized diamond mirror. The built-in strobe power supply provides 40 watts, 12 joules and 120 FPM (480 FPM total).
- Hi/Low intensity control, standard.
- Strobe models are 12-24 VDC.
- Multi-color configuration with clear outer dome and color inner domes.

- 2 year warranty on power supply and 6 month warranty on strobe flash tube.

### Super-LED

#### G8 Series

- Two Super-LED beacons and full size diamond mirror.
- 14 Scan-Lock™ flash patterns to choose from, 75 alternating SignalAlert™ FPM set as default pattern.
- 100,000 hours rated life.
- 1.3 amp draw (peak), 0.52 (average) @ 12.8 VDC.
- SAE J845 Class 2 Certified (amber).
- Clear or color outer dome, clear inner domes with color LEDs.
- 5 year warranty.

### LINEAR-LED®

#### G9 Series

- Super-LED with six single level 400 Series Linear-LED lighthead.
- 100,000 hours rated life.
- 14 Scan-Lock™ flash patterns to choose from, 75 alternating SignalAlert™ FPM set as default pattern.
- 4.5 amp draw (peak), 1.8 (average) @ 12.8 VDC.
- 5 year warranty.

 Super-LED available in red, amber, blue, white

 Strobe & Halogen available in all 6 safety colors

Form# GUAR0707



Designed  
& Manufactured  
in the U.S.A.

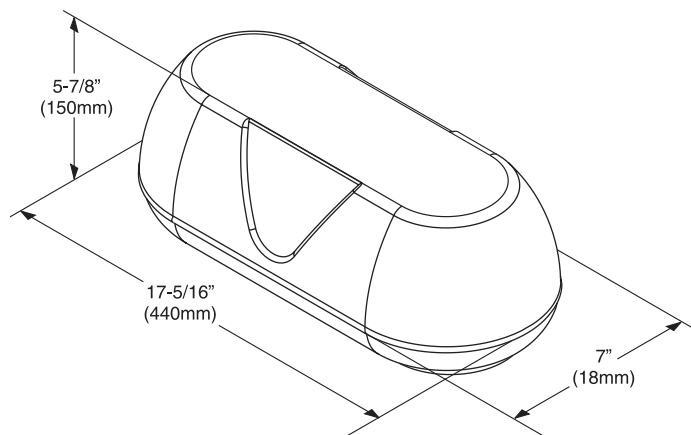
# WHELEN®

Engineers for the Emergency Warning Industry

GUARDIAN SERIES MINI LIGHTBARS

# GUARDIAN™ SERIES SPECIFICATIONS

- Permanent bolt mount versions include 6" pigtail.
- Magnetic mount versions include four 50 lb. pull magnetics, 8' straight cord and cigar plug.
- Magnetic/suction mount versions includes two 110 lb pull magnets overcoated with non-marring rubber with suction control. Includes 8' straight cord and cigar plug.

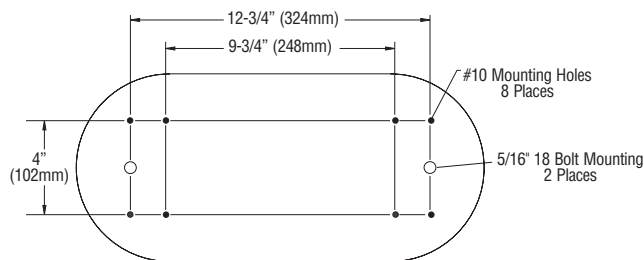


## OPTIONS

- G1MM90 ....90 lb. pull magnetic mount kit with cigar plug for G1, G2 and G5 Series.
- G7MM90 ....90 lb. pull magnetic mount kit with cigar plug for G7 and G8 Series.
- INSTLRDX....Installation of G1MM90 or G7MM90 magnetic mount kit, permanent mount models only.
- KCF\* .....Inner filter kit for G1/G2 Series halogen models, customer installed. (Use with clear outer dome.)

## MOUNTING

Guardian Series has choice of mounting holes.



*The use of any magnetic or magnetic/suction mounted warning beacon on the outside of a moving vehicle is not recommended and is at the sole risk of the user.*

## HALOGEN MODELS



### G1 Series

Includes two 135 RPM rotators and full size diamond mirror.

G1M\* .....magnetic mount.

G1P\* .....permanent mount.

G1V\* .....magnetic/suction mount.

### G2 Series

Includes two high speed 175 RPM rotators and full size diamond mirror

G2M\* .....magnetic mount.

G2P\* .....permanent mount.

G2V\* .....magnetic/suction mount.

## STROBE MODELS



### G5 Series

Includes two 2022 strobe beacons and full size diamond mirror.

G5M\* .....magnetic mount, color outer dome.

G5P\* .....permanent mount, color outer dome.

G5V\* .....magnetic/suction mount, color outer dome.

G5MC\*\* ..magnetic mount, clear outer dome, color inner domes.

G5PC\*\* ..permanent mount, clear outer dome, color inner domes.

G5VC\*\* ..magnetic/suction mount, clear outer dome, color inner domes.

### G7 Series

Includes two remote strobe beacons, one built-in 40 watt power supply and half size diamond mirror.

G7M\* .....magnetic mount, color outer dome.

G7P\* .....permanent mount, color outer dome.

G7V\* .....magnetic/suction mount, color outer dome.

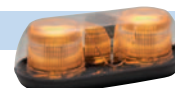
G7MC\*\* ..magnetic mount, clear outer dome, color inner domes.

G7PC\*\* ..permanent mount, clear outer dome, color inner domes.

G7VC\*\* ..magnetic/suction mount, clear outer dome, color inner domes.



## Super-LED® MODELS



### G8 Series

Includes two Super-LED beacons, full size diamond mirror and clear inner domes (color is created by LED beacon color).

G8M\* .....magnetic mount, color outer dome.

G8P\* .....permanent mount, color outer dome.

G8V\* .....magnetic/suction mount, color outer dome.

G8MC\*\* ..magnetic mount, clear outer dome.

G8PC\*\* ..permanent mount, clear outer dome.

G8VC\*\* ..magnetic/suction mount, clear outer dome.

### G9 Series

G9M\* .....magnet mount, clear outer dome.

G9P\* .....permanent mount, clear inner lenses

G9V\* .....magnetic/suction mount, color outer dome, .....clear inner lenses



\*Replace symbol in model number with letter indicating dome or LED color desired:  
A=Amber, B=Blue, C=Clear, R=Red, V=Purple.



Route 145, Winthrop Road  
Chester, Connecticut 06412-0684  
(860) 526-9504 • Fax: (860) 526-4078  
www.whelen.com



Whelen Engineering reserves the right to upgrade and improve products without notice.