

Responder[®] HD[™] Series

HEAVY-DUTY Super-LED[®]
MINI LIGHTBAR

NEW PRODUCT!
PRELIMINARY BULLETIN



Versatile mini lightbar now features Super-LED[®] technology for attention getting flash impact with Super-LED low current draw and rugged, long-life reliability. Single or dual-level Super-LED modules provide maximum 360° warning coverage. Perfect for heavy-duty applications where a full-sized lightbar is not appropriate.



Features

- Class 1, SAE J845 certified.
- Rated for 100,000 hours of operation.
- Six Super-LED modules: Single-level (R9 Series) or Dual-level (R10 Series).
- Built-in electronic flasher provides fourteen Scan-Lock[™] patterns including steady-burn, in permanent mount models.
- SignalAlert[™] 75FPM flash pattern standard in magnetic and vacuum/suction cup mounted models.
- Rugged aluminum base and polycarbonate dome.
- R9 models:
4.5 amp draw (peak),
1.8 amp draw (average).
- R10 models:
9.0 amp draw (peak),
3.6 amp draw (average).
- 12 VDC.
- Five year heavy-duty professional warranty.
- Size: 5-1/16" (130mm) H x 6-5/16" (160mm) W x 17-1/4" (438mm) L.

Models

- R9HDP*** Six single-level modules, permanent mount
- R9HDM*** Six single-level modules, magnetic mount
- R9HDV*** Six single-level modules, vacuum/suction cup mount
- R10HDP*** Six dual-level modules, permanent mount
- R10HDM*** Six dual-level modules, magnetic mount
- R10HDV*** Six dual-level modules, vacuum/suction cup mount

* Replace symbol in model number with letter indication color desired:

A = Amber, B = Blue, R = Red and C = White



Designed
& Manufactured
in the U.S.A.



Super-LED available
in red, amber, blue, white

Form# RESHD0107

Officially Licensed
Warning Lights of
NASCAR[®]



WHELEN[®]

Engineers for the Emergency Warning Industry

Responder[®] HD[™] Series Super-LED[®] Mini Lightbar

RESPONDER® HD™ Series Specifications

Mounting Options

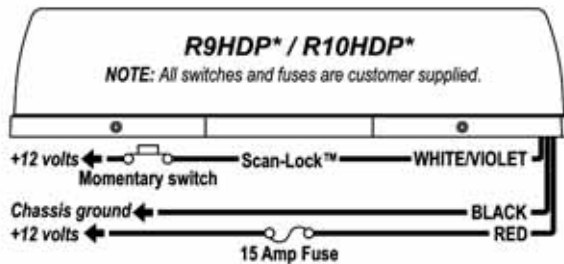
- Permanent bolt mount versions include 6" pigtail.
- Magnetic mount versions include four 50 lb. pull magnets, 8' straight cord and cigar plug.
- Vacuum/suction cup mount versions include two 110 lb. pull magnets overcoated with non-marring rubber suction cup. Includes 8' straight cord and cigar plug.



Vacuum/Suction Cup Mount

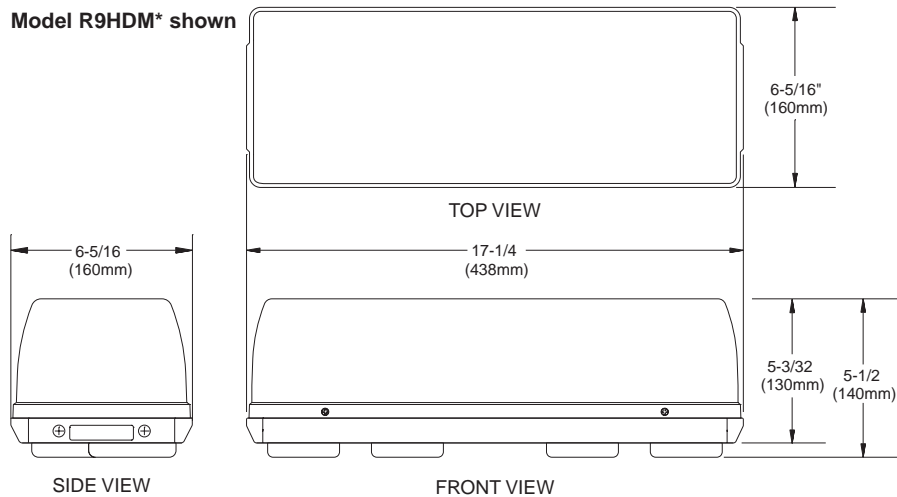
Scan-Lock™ Flash Patterns *(Permanent mount only**)*

Models R9HDP* and R10HDP* have 14 Scan-Lock flash patterns, including SignalAlert™, CometFlash®, DoubleFlash, SingleFlash, SteadyFlash and Steady-burn. All Magnetic and Vacuum/suction cup mount models do not offer Scan-Lock.



Permanent Mount

DIMENSIONS



WARNING:

The use of any magnetic or magnetic/suction mounted warning light on the outside of a moving vehicle is not recommended and is at the sole risk of the user.



Route 145, Winthrop Road
 Chester, Connecticut 06412-0684
 (860) 526-9504 • Fax: (860) 526-4078
 www.whelen.com



Whelen Engineering reserves the right to upgrade and improve products without notice.