

# NEW PRODUCT!

# RESPONDER<sup>®</sup> LP Series SUPER-LED<sup>®</sup> MINI LIGHTBARS



Officially Licensed  
Warning Lights Of  
NASCAR<sup>®</sup>

Nearly twice  
the light output with  
superior off-axis  
visibility

R2LPHPR with  
Linear-LED<sup>®</sup> modules  
and aluminum base



R1LPPA with  
Conical modules and  
polycarbonate base



**NEW!**

Dual switch cigar plug  
with On/Off & pattern  
control switches

**Now, a low profile mini-lightbar that provides all the high performance LED warning and signaling benefits, in a smaller size that fits all your special applications.**

Super-LED modules in a rugged aluminum or polycarbonate base are built to take the roughest conditions and long hours you face.

They're road tested, vibration and moisture resistant and use a much lower current than other warning lights. Put a Responder LP to work on your utility, security, fleet, construction or public works vehicle.

Only  
2-7/8"  
High



Polycarbonate base, CON3 modules shown

Only  
3-1/4"  
High



Extruded aluminum base, Linear-LED modules



Available in Red, Amber,  
White and Blue

Form# RELP0808

## FEATURES

- Class 1, SAE J845 Certified.
- 100,000 hour rated life.
- Six Super-LED modules.
- Choose from R1LP Series with Conical modules or R2LP Series with Linear-LED<sup>®</sup> modules.
- Built-in electronic flasher with 46 Scan-Lock<sup>™</sup> flash patterns including 4 simulated rotating patterns.
- ActionScan<sup>™</sup> is the default flash pattern on all mount versions.
- New dual switch cigar plug allows pattern selection in magnetic and magnetic-suction mount models.
- Permanent mount includes 6" pigtail; magnetic and magnetic/suction mounts include 10' straight cord with dual switch cigar plug
- Polycarbonate dome with smooth exterior will not gather dirt and dust.
- 12 VDC.
- R1LP models: 3.0 amp draw (peak), 1.2 amp draw (avg).
- R2LP models: 6.0 amp draw (peak), 2.4 amp draw (avg).

## Notes:

Magnetic and magnetic/suction mount models do not offer cruise light, low power or SYNC functions.

The use of any magnetic or magnetic/suction mounted warning beacon on the vehicle while in motion, is at the discretion and risk of the user.

## CON3<sup>™</sup> MODELS

Polycarbonate Base

- R1LPP\*..... Permanent mount
- R1LPM\*..... Magnetic mount
- R1LPV\*..... Magnetic/Suction mount

Aluminum Base

- R1LPH\*..... Permanent mount
- R1LPHM\*..... Magnetic mount
- R1LPHV\*..... Magnetic/Suction mount

## Linear-LED<sup>®</sup> MODELS

Polycarbonate Base

- R2LPP\*..... Permanent mount
- R2LPM\*..... Magnetic mount
- R2LPV\*..... Magnetic/Suction mount

Aluminum Base

- R2LPH\*..... Permanent mount
- R2LPHM\*..... Magnetic mount
- R2LPHV\*..... Magnetic/Suction mount

Replace \* \* \* asterisk in model number with desired color:  
A = Amber; B = Blue; C = Clear/White; R = Red

## OPTIONS

- R1\$\$\$00..... Six CON3 Super-LED modules, insert color, no charge when ordered with R1 split color models
- R2\$\$\$00..... Six LIN6<sup>™</sup> Super-LED modules, insert color, no charge when ordered with R2 split color models

Replace \* \* \* with an "S" and use Lighting Package R1\$\$\$00 for R1 models and R2\$\$\$00 for R2 models. Replace Symbol "\$" with the number of color LED lightheads required (maximum of six). Order of color is Red, Blue and Amber.



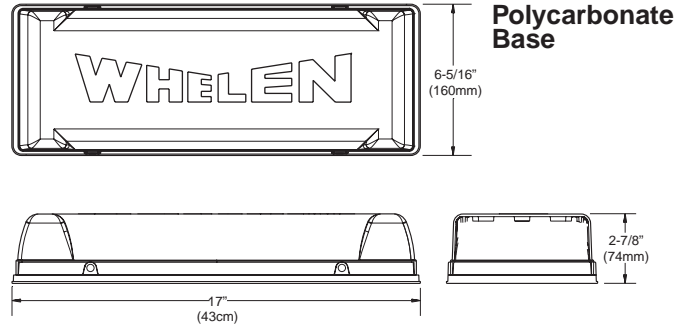
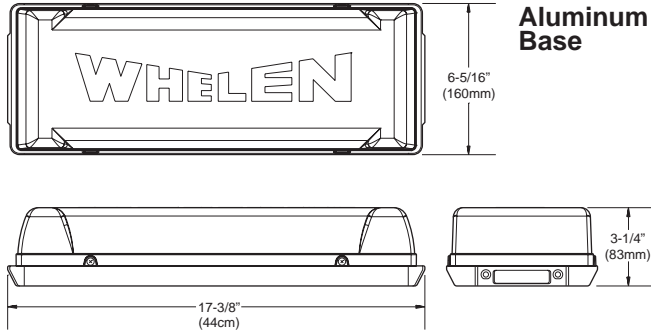
Whelen Products  
are proudly made  
in the U.S.A. \*

# WHELEN<sup>®</sup>

Engineers for the Emergency Warning Industry

RESPONDER<sup>®</sup> LP SERIES SUPER-LED<sup>®</sup> MINI LIGHTBARS

## Responder® LP Series Specifications



### Scan-Lock™ Flash Patterns

- ActionScan™
  - SignalAlert™ Alternating-Simultaneous
  - CometFlash® Alternating-Simultaneous
  - DoubleFlash 75 Alternating-Simultaneous
  - SingleFlash 75 Alternating-Simultaneous ▼
  - LongBurst™ Alternating-Simultaneous
  - SingleFlash 60 Alternating ▼
  - SingleFlash 60 Simultaneous ▼
  - SingleFlash 60 Alternating-Simultaneous ▼
  - SingleFlash 90 Alternating ▼
  - SingleFlash 90 Simultaneous ▼
  - SingleFlash 90 Alternating-Simultaneous ▼
  - SingleFlash 120 Alternating ▼
  - SingleFlash 120 Simultaneous ▼
  - SingleFlash 120 Alternating-Simultaneous ▼
  - SingleFlash 300 Alternating
  - SingleFlash 300 Simultaneous
  - SingleFlash 300 Alternating-Simultaneous
  - MicroBurst™ Alternating
  - MicroBurst™ Simultaneous
  - MicroBurst™ Alternating-Simultaneous
  - ActionFlash™ Alternating
  - ActionFlash™ Alternating
  - ActionFlash™ Simultaneous
  - ActionFlash™ Alt.-Sim.
  - PingPong™ Alternating
  - FlimFlam Alternating
  - ModuFlash™ Alternating
  - ModuFlash™
  - Steady .5%
  - Steady .75%
  - Steady 1%
  - Steady 2%
  - Steady 7%
  - Steady 40%
  - In-Out
  - Sweep
  - Longburst™ In-Out
  - In-Out Blast
  - Sequence On-Off
  - In-Out Blast
  - Zig-Zag
  - Rotator 90
  - Rotator 120
  - Rotator 150
  - Rotator 250
- ▼ = California Title XIII Complaint (R2LP Models Only)

### Synchronization Patterns

- SignalAlert™ Alternating
- SignalAlert™ Simultaneous
- CometFlash® Alternating
- CometFlash® Simultaneous
- DoubleFlash 75 Alternating
- DoubleFlash 75 Simultaneous
- SingleFlash 75 Alternating
- SingleFlash 75 Simultaneous
- LongBurst™ Alternating
- LongBurst™ Simultaneous
- California Title XIII Alternating Simultaneous

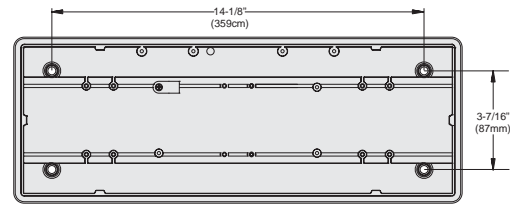
RESPONDER LP Super-LED Mini Lightbars can be synchronized to flash in unison with two mini lightbars.

### Conical Super-LED® Modules

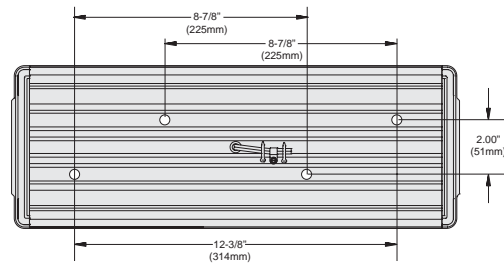


Responder LP R1 Series features the larger (Con3™) Conical Super-LED modules for an extreme low profile and bright warning light.

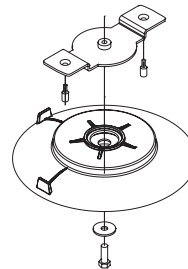
### Mounting



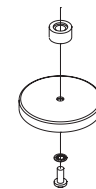
Polycarbonate base permanent and magnetic mounting holes.



Aluminum base permanent, magnetic and magnetic/suction mounting holes.



Magnetic/Suction Mount



Magnetic Mount with 50 lb. pull magnets



Magnetic & magnetic/suction mounts include a 10' straight cord with dual switch cigar plug with On/Off and pattern control.

**WHELEN**<sup>®</sup>  
ENGINEERING COMPANY, INC.

51 Winthrop Road  
Chester, Connecticut 06412-0684  
(860) 526-9504 • Fax: (860) 526-4078  
www.whelen.com



Whelen Engineering reserves the right to upgrade and improve products without notice.